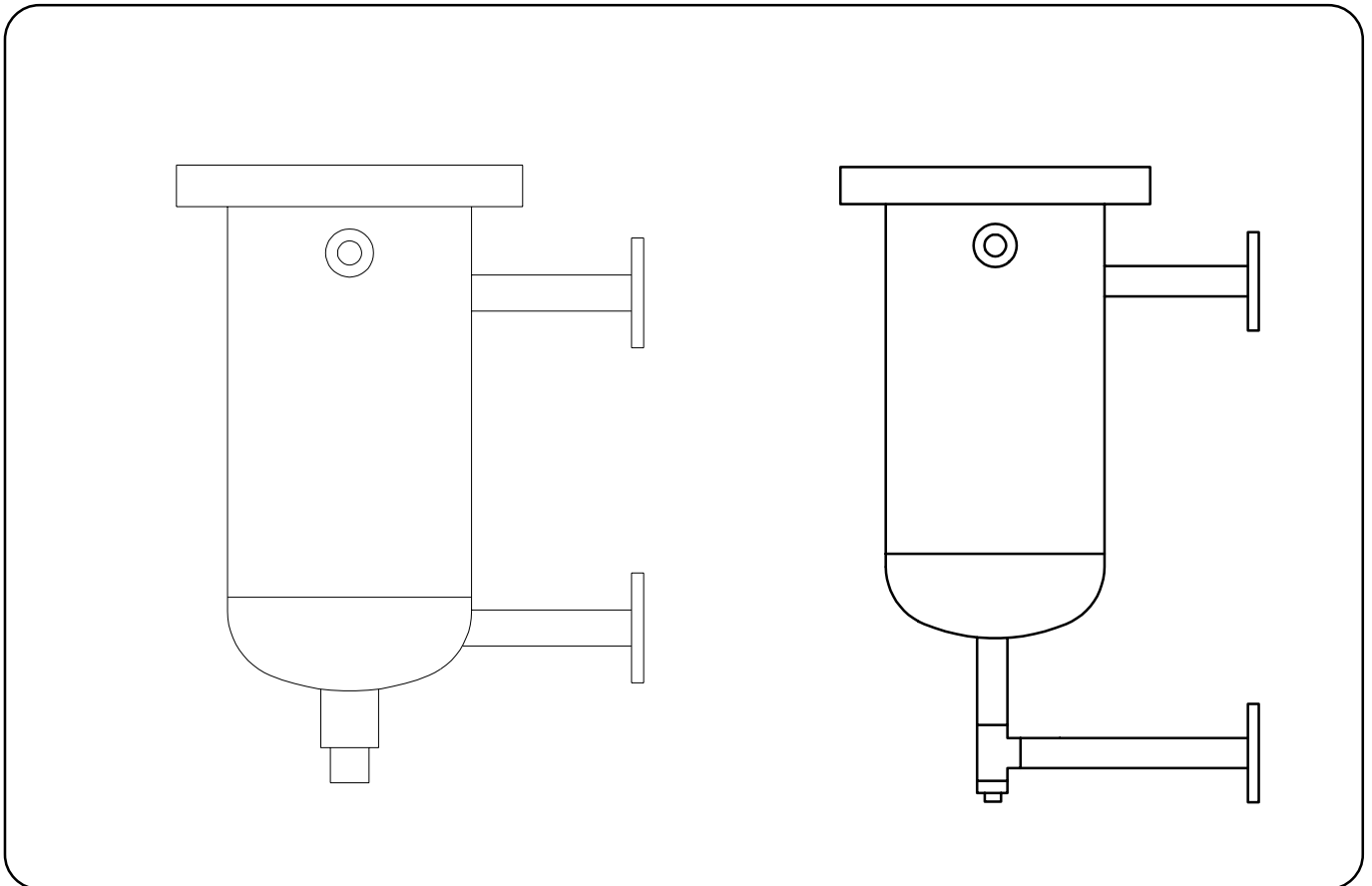




Level Measurement & Control Solutions

External Chamber For Displacer & Float Type Level Switch, Series 137-EC



These chambers are supplied as accessory to Jayati make Float and Displacer type level switches of Series 137-F and 137-D respectively. These are mounted externally on the vessel. External chamber isolates the float switch from the agitation/turbulence in the vessel.

APPLICATION

Wherever it is not possible or desirable to install float switches directly onto the vessel, top mounted level switches can be installed in the external chamber. This arrangement offers following advantages :

- It gives smooth level control irrespective of turbulence or agitation in the process vessel.
- For tank in use, nozzles on the vessel can be used for level control without alterations in the design of the vessel.
- Prevents accidental damages to the switch during shutdown maintenance of the vessel..

FEATURES

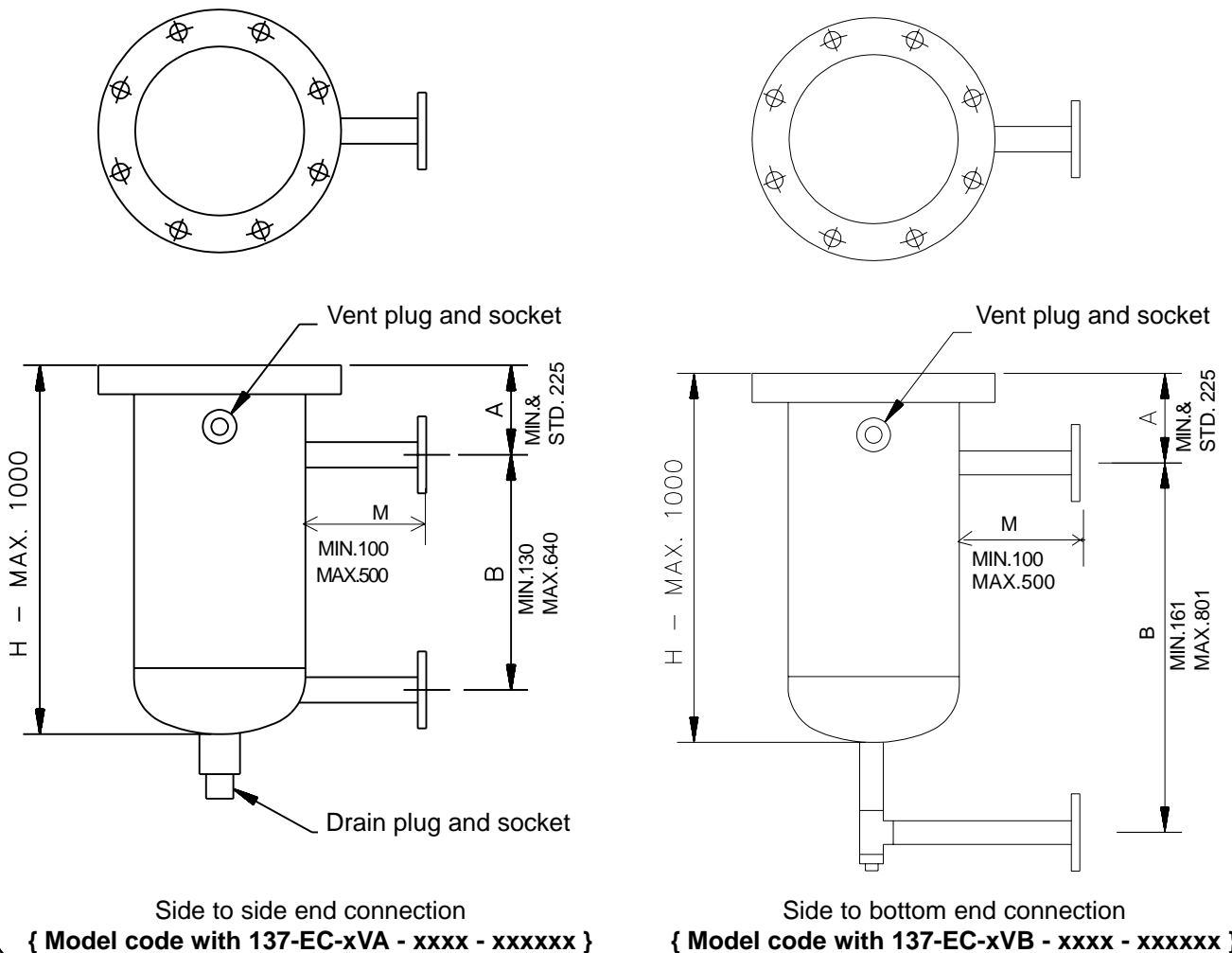
- Available in Low pressure and High pressure versions.
- Suitable for wide temperature range 5°C to 200°C.
- Wide range of material of construction to suit different environmental condition.
- Wide range of end connection types / sizes to choose from.
- Switch end process connection on the external chamber to suit switch process connection.
- Available nozzles on the vessel can be used for mounting the chamber.
- A variety of chamber mounting arrangements provided to suit existing nozzles.
- Allows isolation of the level controller from the main vessel using isolation valves.

SPECIFICATIONS

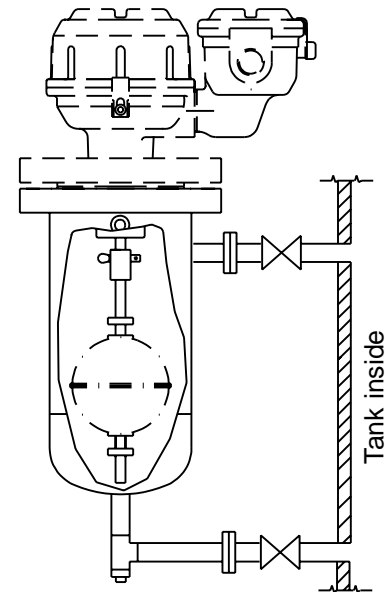
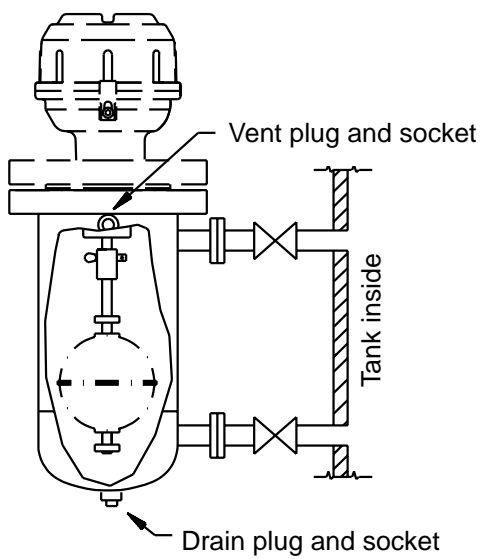
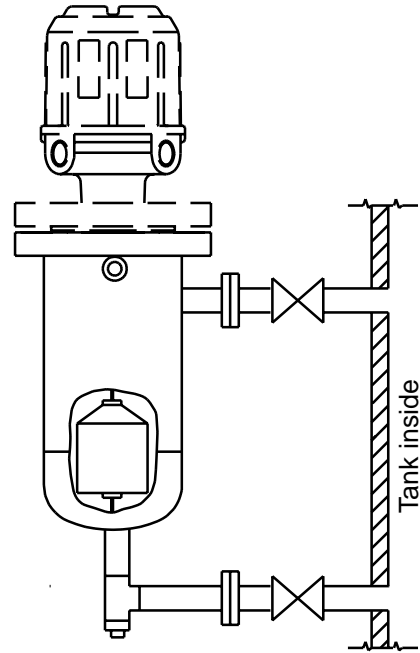
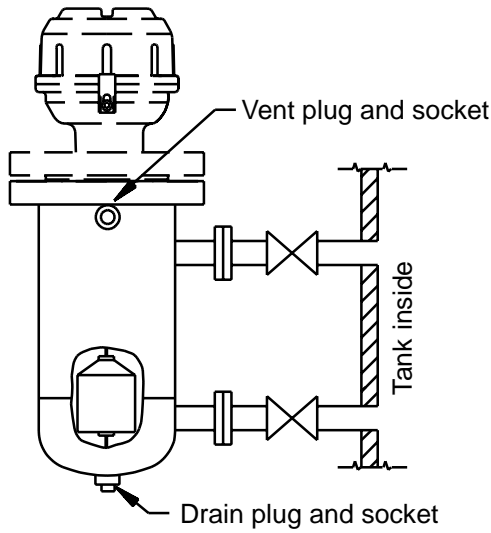
Sr.No.	Parameters	For low pressure	For high pressure
1	PRESSURE		
a	Working	10 kg/cm ²	40kg/cm ²
b	Test	20 kg/cm ²	70 kg/cm ²
2	TEMPERATURE		
a	Working upto 200°C	Material of construction C.S.,SS304/316.	Material of construction C.S,SS304/316.
3	MATERIAL OF CONSTRUCTION		
a	Metallic	C.S., S.S.304, S.S.316.	C.S., S.S.304, S.S.316.
4	END PIPE CONNECTIONS		
a	Flanged	1" (25 NB) to 2" (50 NB).	1" (25 NB) to 2" (50 NB).
5	EXTERNAL FINISH		
a	For C.S. chamber	Redoxide primer on outer surface - Std. Cd. yellow plating all over - Optional.	Redoxide primer on outer surface - Std. Cd. yellow plating all over - Optional.
b	For S.S.304/S.S.316 chamber	Matt buffing on outer surface - Std. Gloss buffing on outer surface - Optional.	Matt buffing on outer surface - Std. Gloss buffing on outer surface - Optional.
6	MAIN SHELL AND END CONNECTION MATERIAL		
a	Pipe Type	ERW - Class B.	Sch 40 Seamless ASTM - A106 Gr B

DIMENSIONS

◆ Please specify dimensions " A " and " B " while ordering ...



APPLICATIONS



*** Continous development may necessitate changes without notice

LF-137-0802 R04 12/2002

SBEM Pvt. Ltd.

39, Electronic Co-Operative Estate, Pune-Satara Road, Pune - 411 009 (INDIA)

Tel. - 91-20-4220505, 4223375 Fax - 91-20-4215670

Email - sbemsales@sbem.co.in, sbemsales@vsnl.com

Works : Bibwewadi Industrial Estate, 691/A/2, Pune-Satara Road, Pune-411 037(India) Email : mfg@sbem.co.in

Office : MUMBAI

Tele. : 91-22-5222824, 5242520

Fax : 91-22-5230236

Email : mumbai@sbem.co.in

CHENNAI

91-44-4452235, 4412947

91-44-4412947

chennai@sbem.co.in

NEW DELHI

91-11-6560647, 6969679

91-11-6969679

newdelhi@sbem.co.in

