

Tank Side Indicator Controller

139TSIC

FEATURES

- Real time indication of tank data.
- 2 line, 16 character back lit alphanumeric LCD display.
- Facility to operate servo gauge from tank grade.
- Optically isolated I/O.
- Flameproof enclosure.

Tank Side Indicator Controller (TSIC) is a remote indicator which can command servo gauge to perform routine Operations. It displays tank data and alarm status at the side of the tank and can give commands to Servo Gauge with the help of a key magnet. It does not require external power since power is derived from the Servo Gauge itself. It is provided with mounting arrangement suitable for 2" pipe.

OPERATION

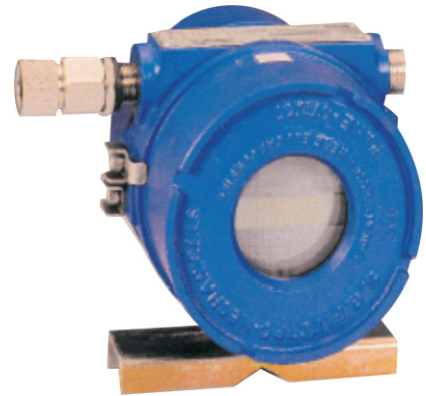
The Tank Side Indicator Controller is a microprocessor based instrument. It communicates with the Servo Gauge on a two way two wire RS485 link. It displays level, temperature and other data on the back lit LCD display. Two Hall effect sensors detect insertion of key magnet into two blind key holes. One keyhole is for "MENU" selection while the other is for "ENTER" command. User can issue commands like displacer up-down, freeze, density measurement, level & interface level measurement and repeatability check etc. Page mode display scheme is employed. Display pages are user selectable. All external connections are surge protected. Signal lines are additionally opto isolated.

CONSTRUCTION

The enclosure has two compartments viz., electronic compartment & terminal box. One cable entry, 1/2" NPT, is provided in the terminal box. The electronic compartment incorporates magnetic sensors to sense the insertion of the key magnet. The two compartments are isolated from each other. Two blind holes are provided on right hand side of enclosure for giving commands through key magnet.

CERTIFICATION

Flameproof as per 60079-1:2007 terminal suitable for Group IIA & IIB area certified from PESO



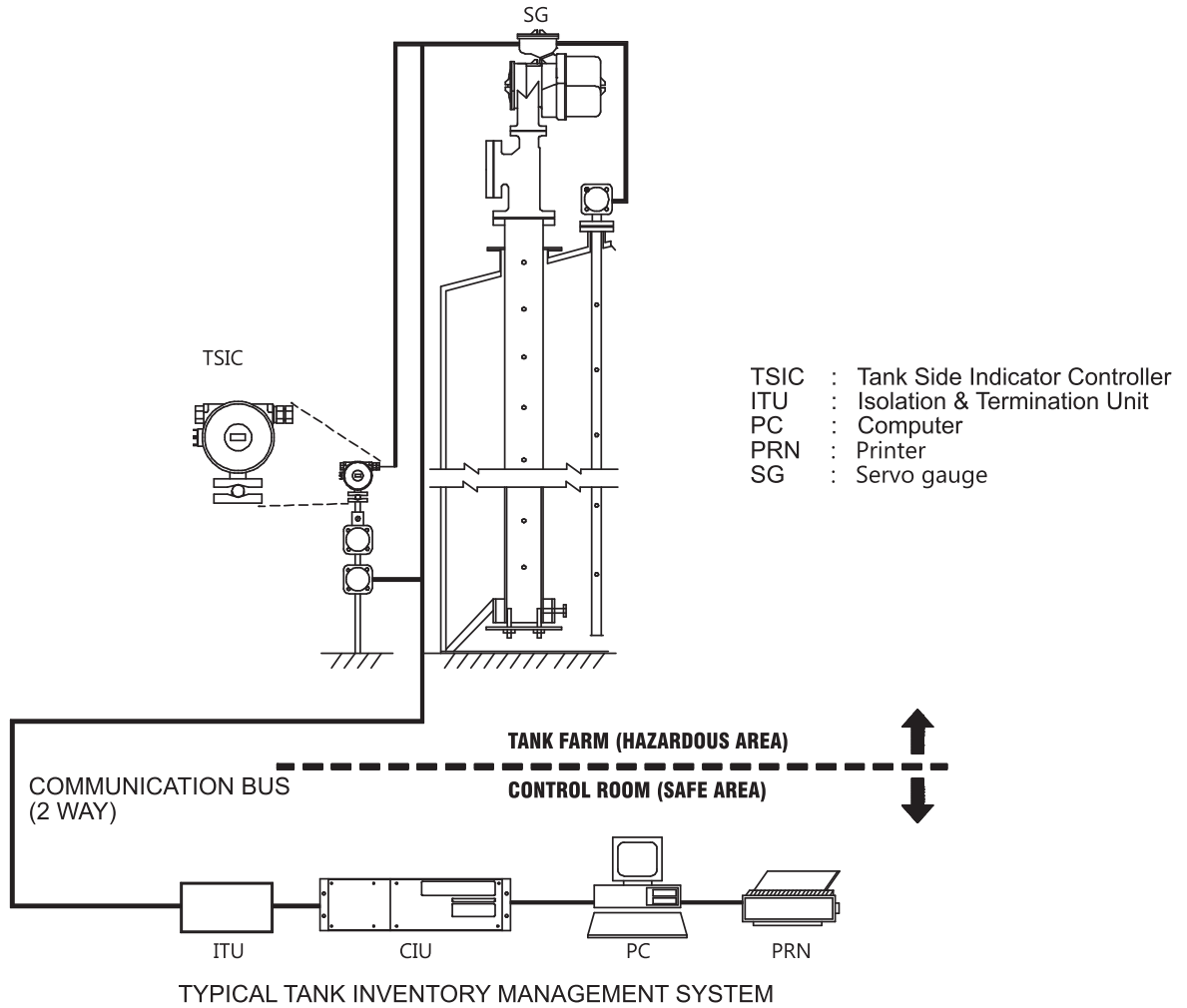
SPECIFICATIONS

- Power
22 VDC derived from servo gauge.
- Communication
RS485 link (Upto 1.2 Kms.).
- Display
1/4", 2 line, 16 character alphanumeric LCD display with back lighting.
- Baud rate
1200
- Cable
4 core 1 mm² copper (2 twisted pairs)
(Upto 1.2 kms), $R_{max} \leq 200 \Omega$, $C_{max} \leq 1\mu F$
- Cable entry
1/2" NPT (F) (1 No.)
- Operating conditions
Temperature - 0 ° C to 55 ° C
Humidity - 95 % RH.
- Enclosure
Aluminium alloy LM6, polyurethane painted
Weatherproof to IP 66 as per IS:13346-2004
- Weight
4 Kgs. approx.

ACCESSORIES

Key magnets are given as standard accessory.

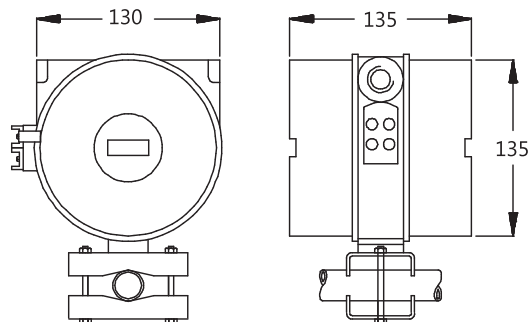
GENERAL ARRANGEMENT



ORDERING CODE

1 3 9 T S I C - 7 1 0 0

DIMENSIONS



SBEM Pvt. Ltd.

Head Office: 39' Electronic Co-operative Estate, Pune-Satara Road, Pune - 411 009
Tel. +91 20 41030100, 24220505, Fax +91 20 24215670, Email: sales@sbem.co.in

Works: 692/A Bibwewadi Industrial Estate, Pune-Satara Road, Pune - 411 039

Pune
Tel +91 20 41030100
pune@sbem.co.in

Mumbai
Tel +91 22 27823601
mumbai@sbem.co.in

Delhi
Tel +91 11 26560647
newdelhi@sbem.co.in

Chennai
Tel +91 44 24911235
chennai@sbem.co.in



ISO 9001:2008

www.sbem-india.com