



STILLING WELLS, SERIES 137-STL

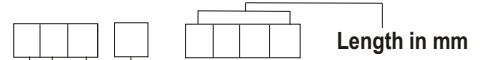
SBEM make Still Wells are used with Displacer type Level Switches 137-D, 137-Y and Capacitance type Level Transmitters 103-CLT.

Use of Still Well is recommended for following applications...

1. In case of excessive turbulence present in the tank and to prevent damage to the rope & displacer in case of Displacer type Level switches and to the electrode in case of Capacitance Level Transmitter.
2. In case of flexible electrode, CS Still Well is recommended.

MODEL CODING:

137-STL-



TYPE

- 1 - Flanged type
- 2 - Clamped type

SIZE

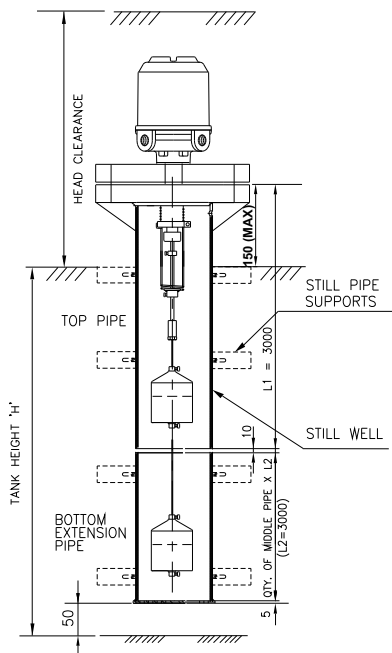
- For Flanged Type:**
04 - 4" ANSI Flanged 150#, with 4" Still pipe
- For Clamped Type:**
41 - 4" ANSI Flanged 150#, with 3" Still Pipe

MATERIAL OF CONSTRUCTION

- | | |
|-------------------|--------------------|
| 1 - C.S | } For Flanged type |
| 2 - Polypropylene | |
| 3 - PVC | } For Clamped type |
| 4 - SS 304 | |
| 6 - SS 316 | |

APPLICATION DRAWINGS:

FLANGED TYPE

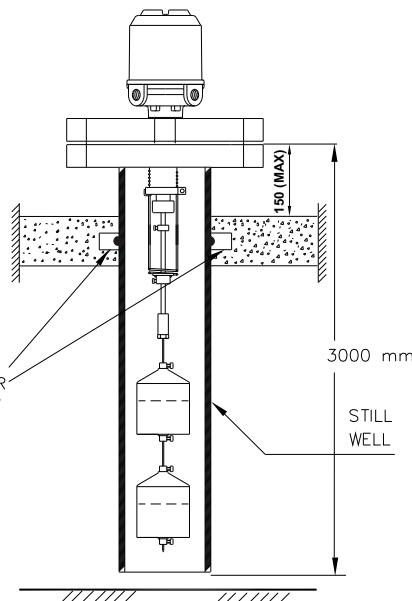


Mounting Arrangement No.1

With grouted supports
Recommended MOC: CS, PVC or polypropylene

NOTES:

1. All Still Well supports are in purchaser's scope.
2. Still Wells having lengths > 3000 mm will be provided in sections.
3. Pipe sections to be aligned or welded at site by Purchaser.
4. Minimum 2 supports per section recommended.



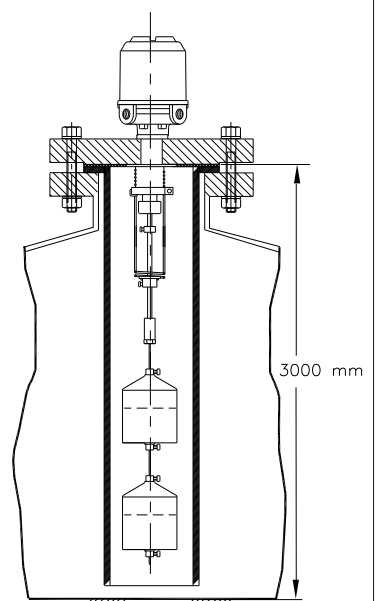
Mounting Arrangement No.2

Grouting in concrete
Recommended MOC: CS

NOTES:

1. Grouting Arrangement in Purchaser's Scope.

CLAMPED TYPE



Clamped between the flanges
Recommended MOC: SS 304/ SS 316

Continuous changes may necessitate changes without notice

LF-137-0821-R00 10/2008



SBEM Pvt. Ltd.

H.O. : 39, Electronic Co-Operative Estate, Pune - 411 009 (India)
Tel. : 91-20-24220505, 24223375 Fax : 91-20-24215670
Email : sbemsales@sbem.co.in, sbemsales@vsnl.com

Web : www.sbem-india.com

Works : Bibwewadi Industrial Estate, 691/A/2, Pune-Satara Road, Pune - 411 037 (India), Email : mfg@sbem.co.in

Office : Mumbai
Tel. : 91-22-27823601 / 03
Fax : 91-22-2782603
Email : sbemho@bom4.vsnl.net.in
mumbai@sbem.co.in

Chennai
91-44-24481235, 24486947
91-44-24486947
chennai@sbem.co.in

New Delhi
91-11-26560647, 26969679
91-11-26969679
newdelhi@sbem.co.in

Pune & Gujarat
91-20-24220505, 24223375
91-20-24215670
pune@sbem.co.in
gujarat@sbem.co.in