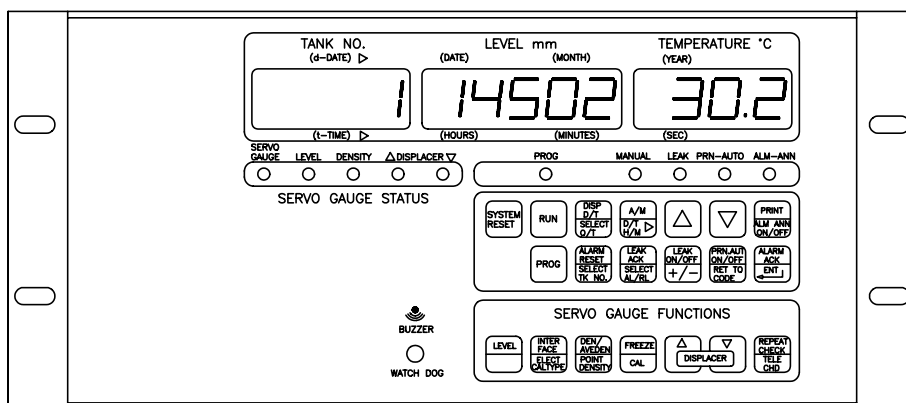




Single Tank Indicator, 139 STI For Servo Gauge



FEATURES

- ❑ Real-time Level and Temperature display in mm and °C for one tank.
- ❑ Audio-visual alarms, interface level, density on demand and diagnostic data.
- ❑ Keyboard for operator access to all Servo Gauge functions including calibration.
- ❑ Five programmable relay outputs for alarms (optional).
- ❑ Two 4-20 mA isolated current outputs proportional to level and temperature (optional).
- ❑ Microprocessor based circuit with built-in diagnostics.

The Single Tank Indicator 139-STI is a control room instrument which acts as a interface between a field mounted Servo Gauge and the user. It can also be connected to a serial printer via the RS-232 C serial port for auto / manual printing of data.

SPECIFICATIONS

- Input:** Data from one Servo Gauge on 2 way / 2 wire RS 485 bus. Baud rate 1200 (standard) / 2400 (optional)
- Scan Time:** 500 ms.
- Protection:** Optical isolation between input/output terminals and receiver circuitry. Surge protection using MOVs.
- Display:** 1/2" high, seven segment LED display. Tank No.1 to 15 selectable, 5 digits for level and 4 digits for temperature.

Key Board: In built membrane keypad with 20 Keys for full functional control of Servo Gauge.

Alarms: Audio alarm through piezo electric buzzer. Optional open collector outputs - 5 nos.- programmable to drive relays in patch panel on any one or more of Hi-Hi, Hi, Lo, Lo-Lo level alarms & temperature alarm tH of Servo Gauge.

Output: Optional 4-20 mA isolated current outputs proportional to level and temperature. (Accuracy - ± 0.1 % of range)

Power Supply: 230 / 110 V, 50 Hz, 1 ϕ , 55 VA max. (10 VA for STI without output options).

Enclosure: Flush panel / Table top mounted half 19" rack (card frame).

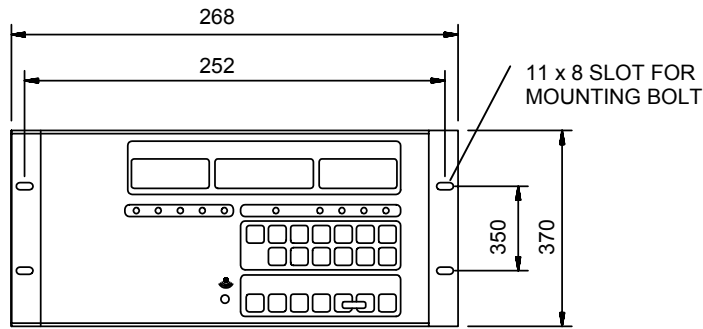
Operating Environment: 0-50° C, 95% RH non condensing.

- Accessories:**
- Isolation & Termination Unit (ITU) Wall mounted unit suitable to power Servo Gauge & provide termination for signal cable from field.
 - Patch panel for relay outputs.
 - Patch panel for current outputs.
 - STI to printer cable (15M).
- Cables:**
- Signal - 1 twisted pair, 1mm² cable from Servo Gauge (1.2 kms. max.). Rmax \leq 200 Ω , Cmax. \leq 1 μ F
 - Power - 2 core, 2.5 mm² Cu armoured cable.
 - Appropriate cables for alarm contacts & 4-20 mA outputs.

ORDERING INFORMATION

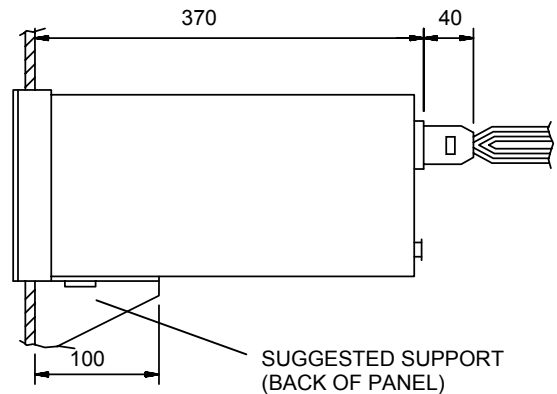
MODEL 139-STI	SINGLE TANK INDICATOR			
CODE	ALARM RELAY OUTPUTS (5 NOS.)			
0	No			
1	Yes			
CODE	POWER			
1	110 VAC, 50 Hz, 1 ϕ			
2	230 VAC, 50 Hz, 1 ϕ			
CODE	CURRENT OUTPUTS			
0	No			
1	Proportional to level			
2	Proportional to level & temperature			
139-STI	1	2	2	TYPICAL MODEL NO.

MECHANICAL DIMENSIONS

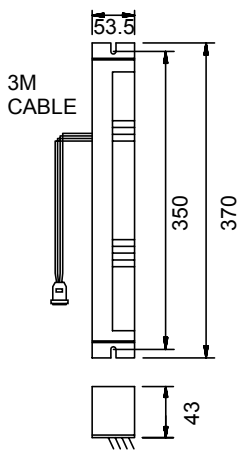


SINGLE TANK INDICATOR

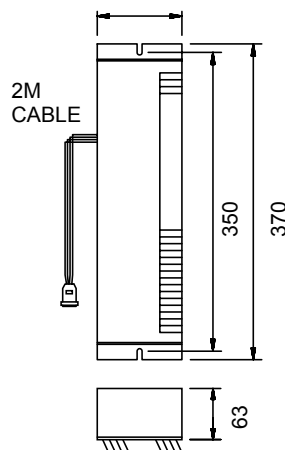
PANEL CUTOUT
230 x 133



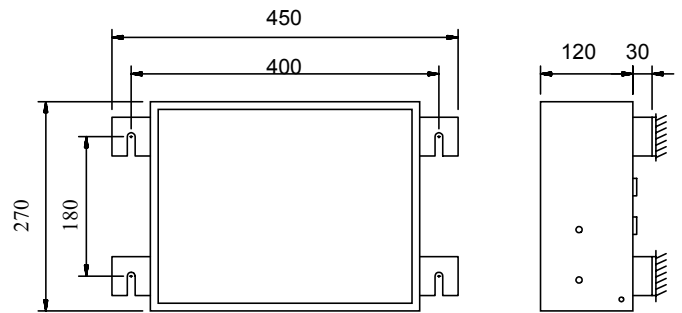
SUGGESTED SUPPORT
(BACK OF PANEL)



**PATCH PANEL FOR
CURRENT OUTPUTS**



**PATCH PANEL FOR
RELAY OUTPUTS**



ISOLATION & TERMINATION UNIT

Continuous Developments may necessitate changes in specifications without notice

LF-139-809 R01 (W) 10/2002



SBEM Pvt. Ltd.

39, Electronic Co-Operative Estate, Pune-Satara Road, Pune – 411 009 (INDIA)

Tel.: 91-20-4220505, 4223375 Fax – 91-20-4215670

Email: sales@sbem.co.in, sbemsales@vsnl.com, Web: www.sbem-india.com

Works: Bibwewadi Industrial Estate, 691/A/2, Pune-Satara Road, Pune-411 037(India) Email: mfg@sbem.co.in

Office MUMBAI

Tele. 91-22-2782 3601, 2782 3603

Fax 91-22-2782 3603

Email mumbai@sbem.co.in

CHENNAI

Tele. 91-44-2445 1235, 2441 2947

Fax 91-44-2441 2947

Email chennai@sbem.co.in

NEW DELHI

Tele. 91-11-2656 0647, 2696 9679

Fax 91-11-2696 9679

Email newdelhi@sbem.co.in

VADODARA

Tele. 91-265-233 5196, 235 8184

Fax 91-265-233 0906

Email vadodara@sbem.co.in

