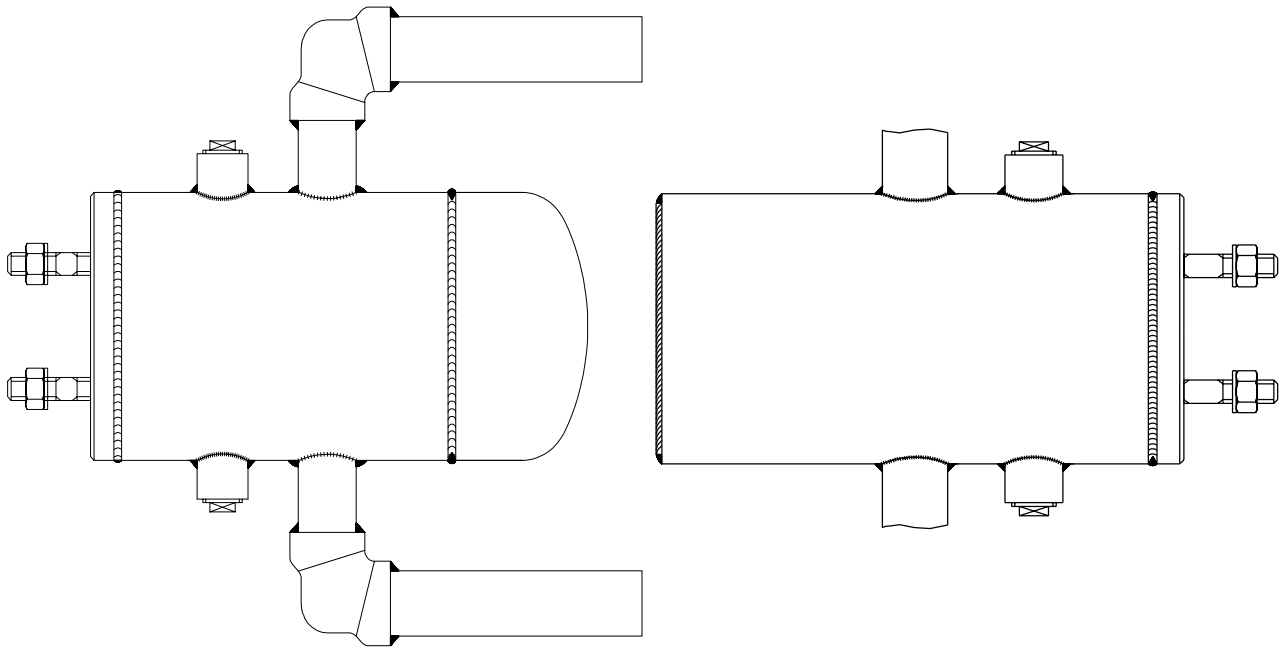




## LEVEL MEASUREMENT & CONTROL SOLUTIONS

### EXTERNAL CHAMBERS FOR MAGNETIC FLOAT SWITCH, SERIES 137-CH



These chambers are supplied as an accessory to Magnetic Float Switches of Series 137 with only standard square flange and floats without extension. These are externally mounted on the vessel. External chamber isolates the float switch from the agitation / turbulence in the vessel.

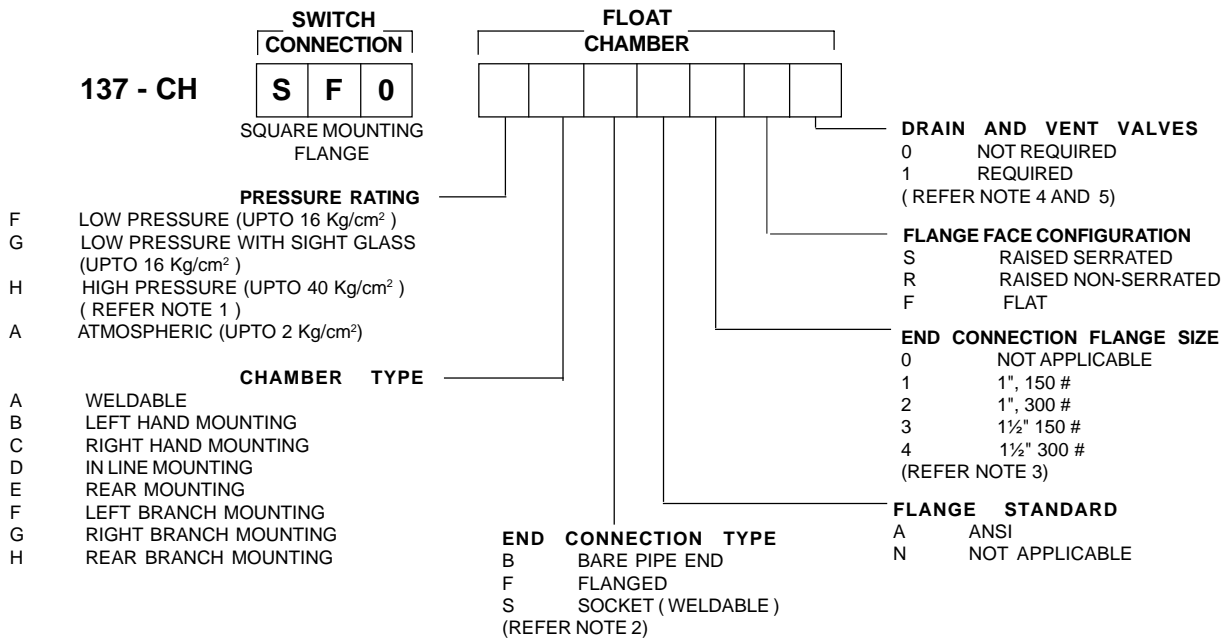
Normally use of external chamber for mounting level switch is always preferred over direct mounting of the switch on the vessel. This arrangement offers following advantages ...

- It gives smooth level control irrespective of turbulence or agitation in the process vessel.
- The switch can be isolated from the process vessel.

## FEATURES

- Two versions available
  - a) Low pressure upto 16 Kg/cm<sup>2</sup> with or without sight glass
  - b) High pressure upto 40 Kg/cm<sup>2</sup>
- Temperature range upto 300 °C for high pressure and upto 150 °C for low pressure
- Allows isolation of level switch from main vessel using isolation valves
- Variety of mounting arrangements provided

## ORDERING CODE



Please specify following dimensions while ordering ...

| Dimension         | a , a' | b , b' | c   | d , d' |
|-------------------|--------|--------|-----|--------|
| Type A , D        | ✓      |        |     |        |
| Type B , C , E    |        | ✓      | ✓   |        |
| Type F , G , H    |        |        | ✓   | ✓      |
| Minimum dimension | 200    | 220    | 220 | 150    |
| Maximum dimension | 600    | 600    | 500 | 600    |

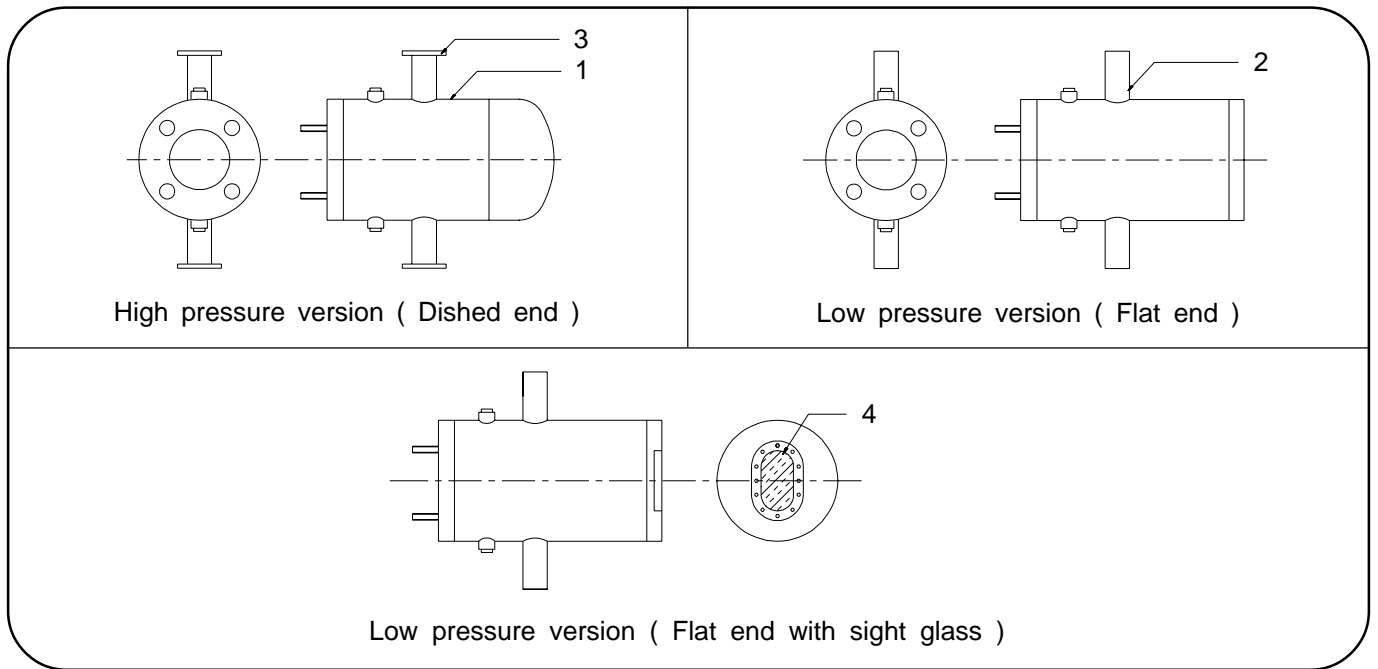
### NOTE :

- IBR certified high pressure version upto 60 Kg/cm<sup>2</sup> is also available.
- Restrictions on end connection for different chamber types ...  
Type A - Only bare pipe end available.  
Type D - Bare pipe end not available.
- Select " Not applicable ", in case required end connection is of socket (weldable) or bare end pipe type. 1" FF 150 # option is to be selected only for low pressure version.
- These drain & vent valves (1/2" NPT needle valves in SS304) are intended to replace the drain & vent plugs on chamber types A to E only.
- The drain & vent connections for chamber types F, G and H are of flanged type. These connections are blanked by a flange {1" FF 150 # (for 16 Kg/cm<sup>2</sup>) or 1" RF 300 # (for 40 Kg/cm<sup>2</sup>)} which has a socket (with a blinding plug) welded to it. User can remove the blinding plug ( 1/2" NPT ) and install drain / vent valves of his choice.

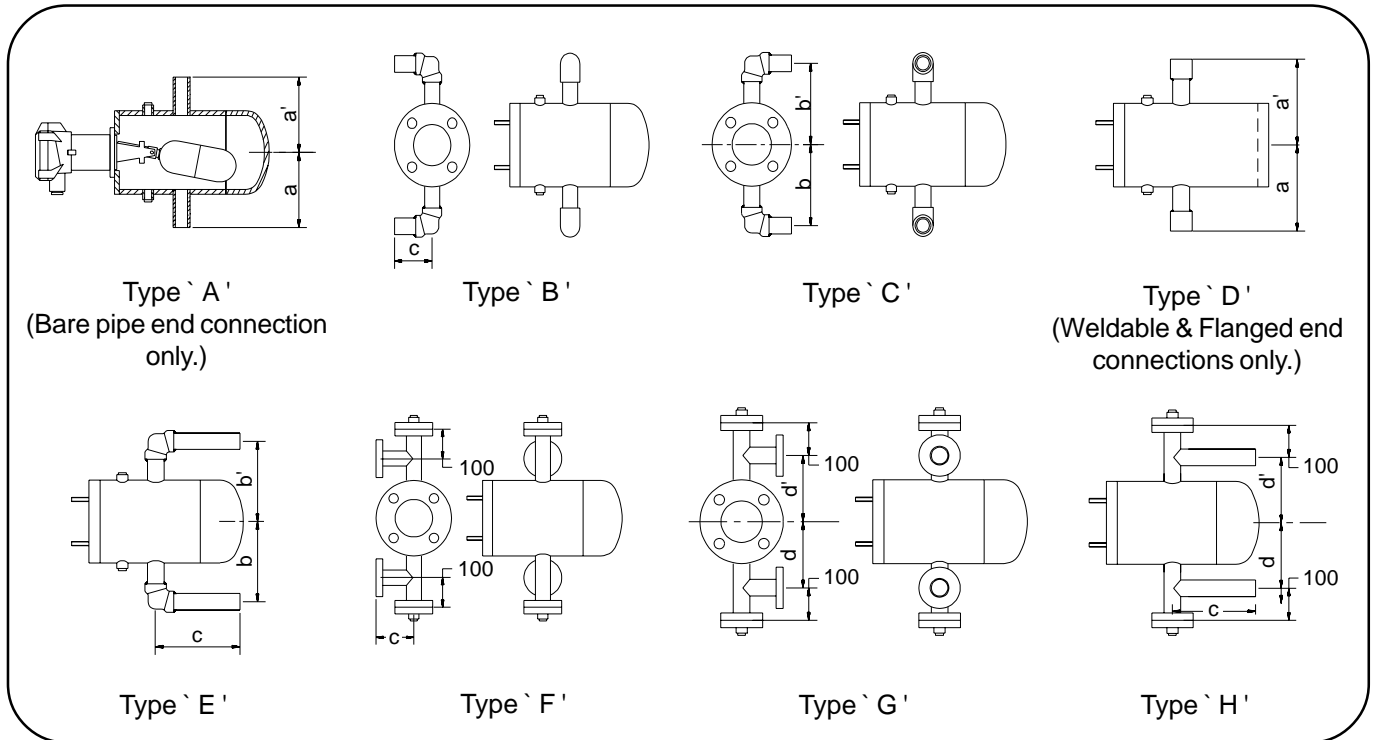
## MATERIALS OF CONSTRUCTION

| Sr.No. | Component                                     | For Low pressure version                | For High pressure version         |
|--------|---|---|-----------------------------------|
| 1      | Shell (5" pipe)                               | ERW Schedule 40 in CS as per to IS:1239 | Seamless Schedule 40 in ASTM A106 |
| 2      | End connection pipe (1" pipe)                 | ERW Schedule 40 in CS as per to IS:1239 | Seamless Schedule 40 in ASTM A106 |
| 3      | Flanges (1" or 25 NB)                         | CS conforming to IS:226                 | ASTM A105                         |
| 4      | Glass   | Toughened glass (6 mm)                  | -----                             |
| 5      | Gaskets ( For chamber types F, G and H only ) | AFR oil quality 59                      | AFR oil quality 59                |
| 6      | Fittings                                      | Forged CS (ASTM 403)                    | Forged CS (ASTM 403)              |

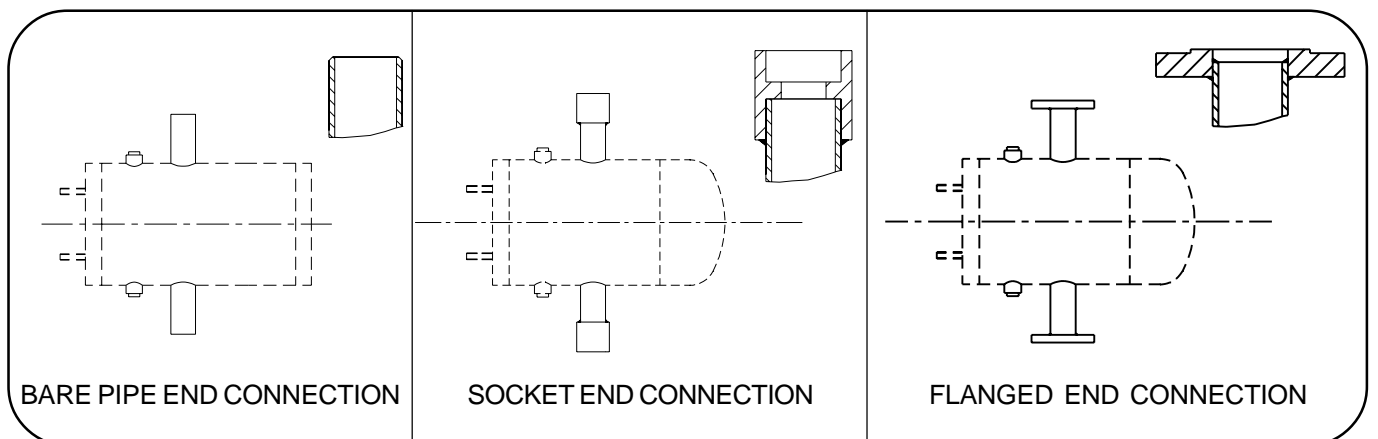
## CHAMBER CONSTRUCTION



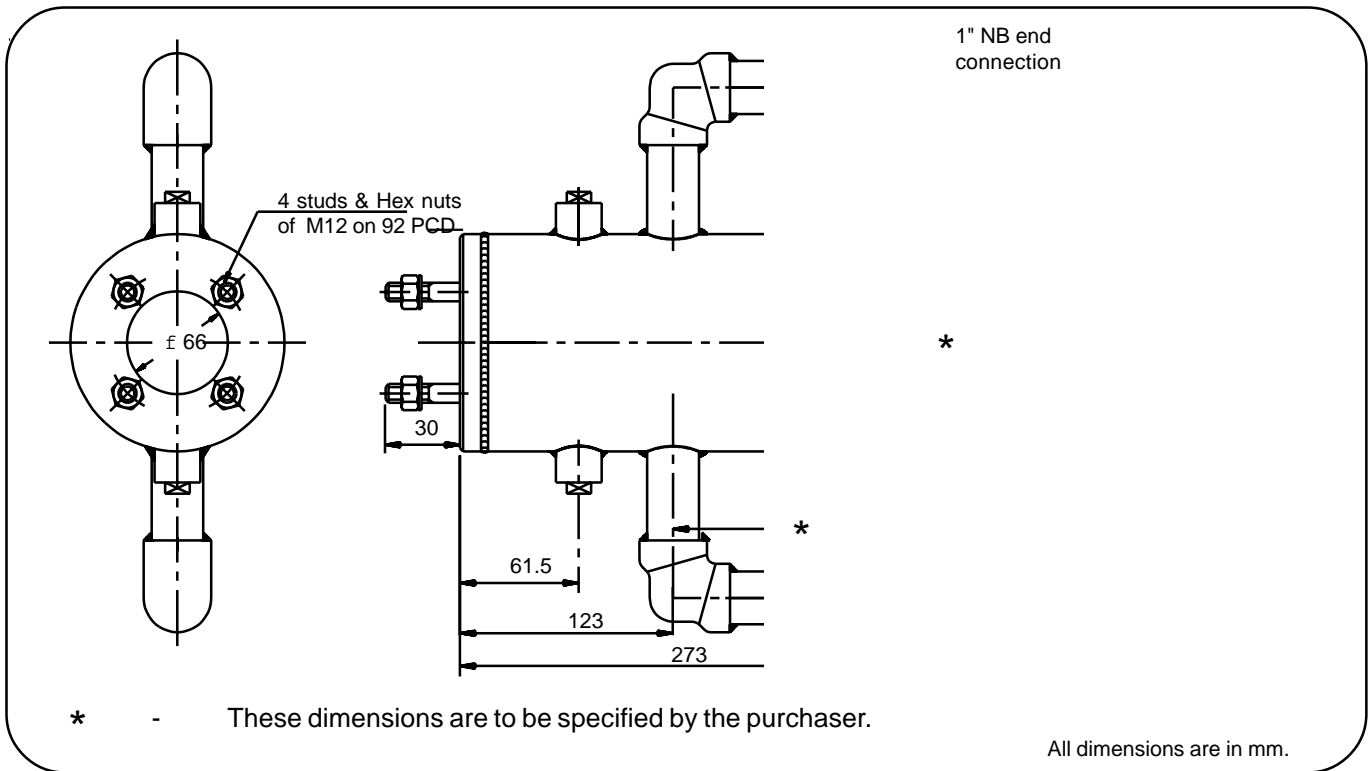
## CHAMBER TYPES



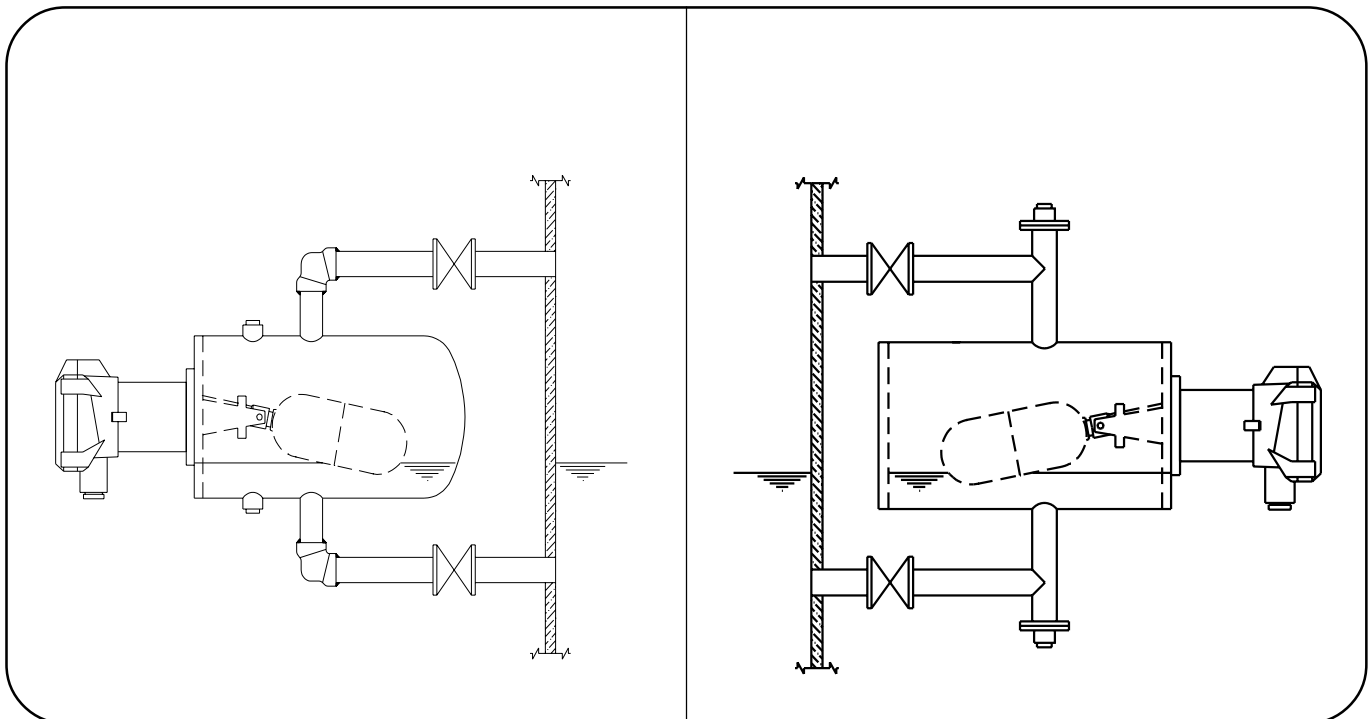
## TYPES OF END CONNECTIONS



## DIMENSIONS



## APPLICATIONS



\*\*\* Continuous developments may necessitate changes without notice.

LF-137-0804 R04 12/2002

### SBEM Pvt. Ltd.

39, Electronic Co-Operative Estate, Pune-Satara Road, Pune - 411 009 (INDIA)

Tel. - 91-20-4220505, 4223375 Fax - 91-20-4215670

Email - [sales@sbem.co.in](mailto:sales@sbem.co.in), [sbemsales@vsnl.com](mailto:sbemsales@vsnl.com)

Works : Bibwewadi Industrial Estate, 691/A/2, Pune-Satara Road, Pune-411 037(India) Email : [mfg@sbem.co.in](mailto:mfg@sbem.co.in)

Office : MUMBAI

Tele. : 91-22-5222824, 5242520

Fax : 91-22-5230236

Email : [mumbai@sbem.co.in](mailto:mumbai@sbem.co.in)

CHENNAI

91-44-4452235, 4412947

91-44-4412947

[chennai@sbem.co.in](mailto:chennai@sbem.co.in)

NEW DELHI

91-11-6560647, 6969679

91-11-6969679

[newdelhi@sbem.co.in](mailto:newdelhi@sbem.co.in)

