



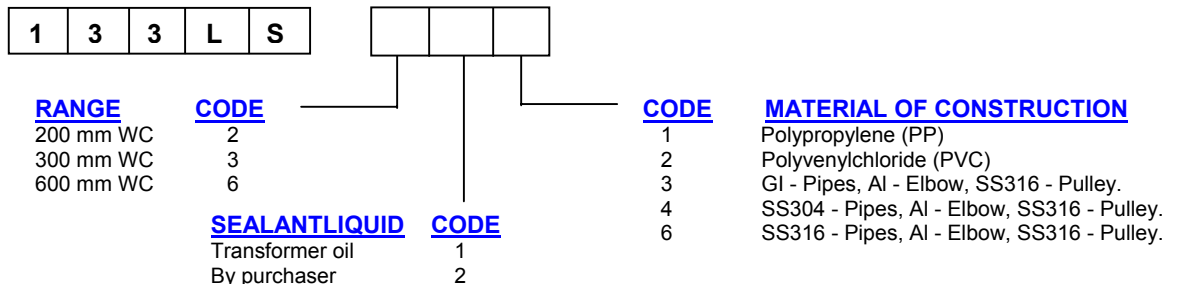
Liquid Seal Assembly, 133LS

It is an accessory for " Automatic Tank Level Gauge (ATLG), Series 133 " and " Open Scale Target reading Type Level Indicator, Series 131 ".

Use of liquid seal assembly is recommended for following applications:

- Product stored is volatile.
- There is inert gas blanketing in the tank.
- Vapour pressure in the tank is in excess of atmospheric, but not exceeding 600 mm water column (WC).

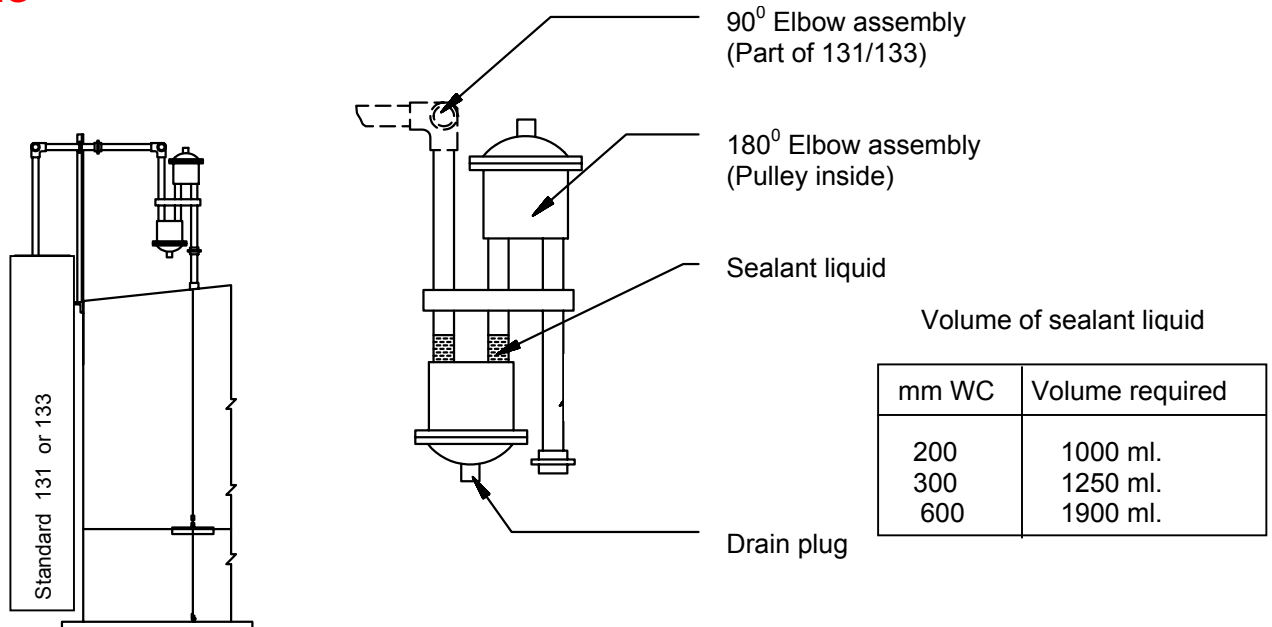
ORDERING CODE



Notes:

1. The same process connection as the one ordered for the Tank Level Gauge / Target Type Level Indicator is applicable for this assembly also. When ordering Liquid Seal assembly as a retrofit, please specify existing process connection. Refer LF-131-0801 or LF-133-0801.
2. Polypropylene & PVC constructions are for corrosive duties. Refer LF-131-0802 or LF-133-0810 for details. Sealant liquid in these cases has to be provided by the purchaser.
3. For PP / PVC versions, the process connection is always flanged. For others, both flanged and threaded connections are possible.

DRAWING



Continuous developments may necessitate changes in specifications without notice

LF-133-0805-R02 (W) 02/03



SBEM Pvt. Ltd.

39, Electronic Co-Operative Estate, Pune-Satara Road, Pune – 411 009 (INDIA)

Tel.: 91-20-4220505, 4223375 Fax – 91-20-4215670

Email: sales@sbem.co.in, sbemsales@vsnl.com, Web: www.sbem-india.com



Works: Bibwewadi Industrial Estate, 691/A/2, Pune-Satara Road, Pune-411 037(India) Email: mfg@sbem.co.in

Office	MUMBAI	CHENNAI	NEW DELHI	VADODARA
Tele.	91-22-2782 3601, 2782 3603	91-44-2445 1235, 2441 2947	91-11-2656 0647, 2696 9679	91-265-233 5196, 235 8184
Fax	91-22-2782 3603	91-44-2441 2947	91-11-2696 9679	91-265-233 0906
Email	mumbai@sbem.co.in	chennai@sbem.co.in	newdelhi@sbem.co.in	vadodara@sbem.co.in