



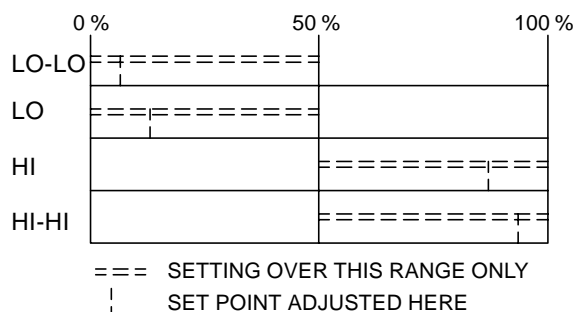
Limit Switch Assembly, 133 LA



This accessory for Automatic Tank Level Gauge, Model 133, is for use when two or four adjustable limit switch contacts are required.

The main shaft of Automatic Tank Level Gauge through a belt and a gear train drives a set of cams to operate the limit switches. The alarms can be adjusted without physically changing the level in the tank by decoupling the level reading counter from the main shaft.

OPERATION OF LIMIT SWITCHES



SPECIFICATIONS

ENCLOSURE

- ❑ Flameproof as per IS:2148-1981 suitable for Group IIA & IIB area.
Certificate No. V/Rev/1015 dated 28/10/86 issued by CMRI, Dhanbad.
Certificate No. R1(1)136/S.B.ELECTRO-MECHANICALS/36 dated 09/09/91 issued by CCE, Nagpur.
- ❑ Weatherproof conforming to IP-65 as per IS:2148-1962.
- ❑ Cable entries - 2 nos.
1 1/2" NPT (F).

LIMIT SWITCH

- ❑ Range (Factory set).
3200 / 12800 / 15600 / 31200 mm.
- ❑ Number of switches
2 or 4
- ❑ Range of adjustment
0 - 50% for LO & LO-LO
50 - 100% for HI & HI-HI
- ❑ Repeatability
± 20 mm
- ❑ Hysteresis (For 3200/12800/15600/31200 mm ranges.)
60 / 90 / 120 / 225 mm respectively.
- ❑ Contact rating
Microswitch, 5A @ 230 VAC or 2A @ 24 VDC (Resistive).
- ❑ Contact configuration
1 c/o (NO, NC, POLE) for 1 Limit switch version.
Common pole+ 1 NO (close to alarm) or NC (open to alarm) for each of 4 Limit switches.

The minimum distance between two setpoints should be (Hysteresis + 50) mm.

ORDERING CODE

1 3 3 L A

RANGE

0-6400 mm
0-12600 mm
0-15600 mm
0-31400 mm

CODE

1
2
3
4

CODE

1
2

VERSION

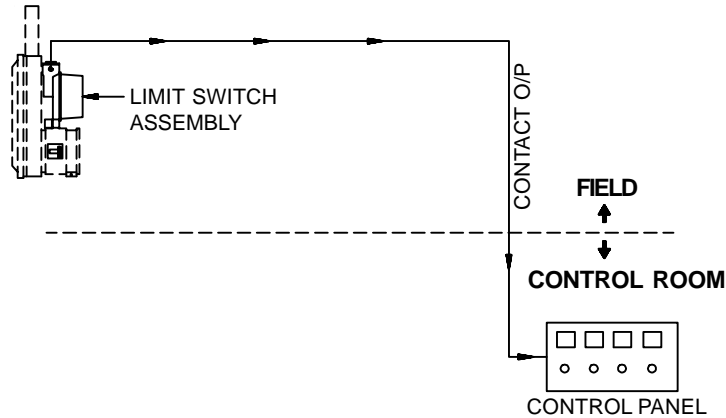
2 Limit switch assembly #
4 Limit switch assembly (LOLO, LO, HI, HIHI)

CODE ENCLOSURE

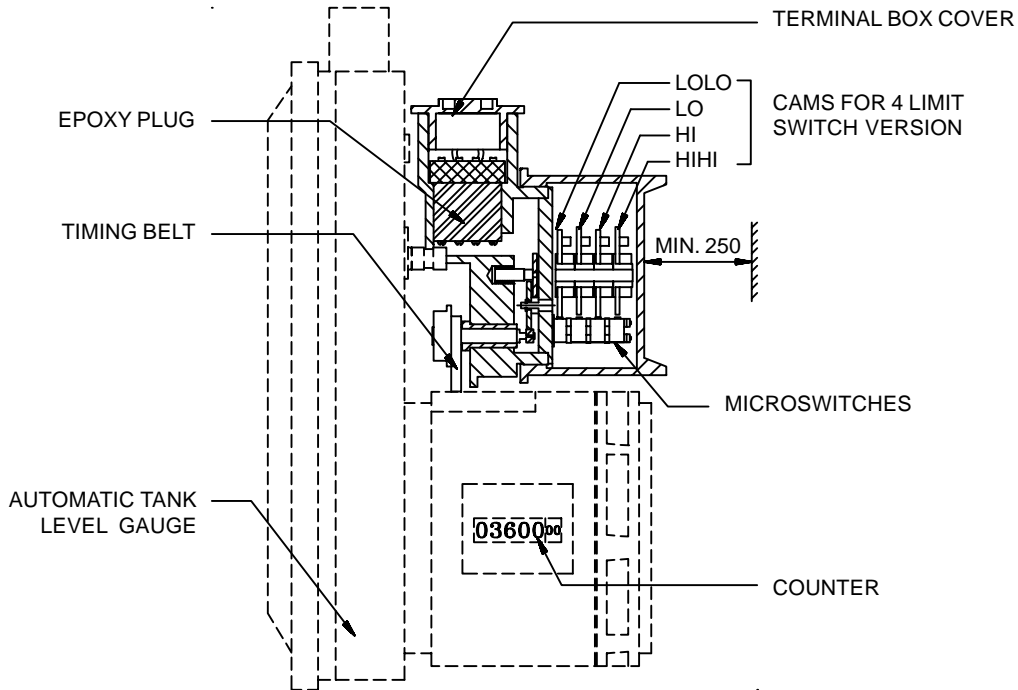
1 Weatherproof (WP)
2 Flameproof (FLP) + WP

Any combination of LOLO, LO, HI, HIHI - selectable at site.

GENERAL ARRANGEMENT



DETAILS



*** Continuous development may necessitate changes without notice.

LF-133-0811 Rev.02 (W) 03/99

SBEM Pvt. Ltd.

39, Electronic Co-Operative Estate, Pune-Satara Road, Pune - 411 009 (INDIA)

Tel. : 91-20-4220505, 4223375 Fax - 91-20-4215670

Email : sales@sbem.co.in

sbemsales@vsnl.com

Web: www.sbem-india.com

Works : Bibwewadi Industrial Estate, 691/A/2, Pune-Satara Road, Pune-411 037(India)

Email : mfg@sbem.co.in

Office : MUMBAI

CHENNAI

NEW DELHI

VADODARA

Tele. : 91-22-2782 3601, 2782 3603

91-44-2445 1235, 2441 2947

91-11-2656 0647, 2696 9679

91-265-233 5196, 235 8184

Fax : 91-22-2782 3603

91-44-2441 2947

91-11-2696 9679

91-265-233 0906

Email : mumbai@sbem.co.in

chennai@sbem.co.in

newdelhi@sbem.co.in

vadodara@sbem.co.in

