



Cable Float Switch 130 - CFS

INTRODUCTION.

The SBEM Float level switch with mercury free microswitch can be used for the level switching of water and water based solutions. The float is hermetically sealed due to double chamber and its unique moulding process. Switch differential is set with the help of the counter weight that can be adjusted along the cable of the switch.

SPECIFICATIONS:

- Maximum Load: 10A, 230VAC (Resistive)
- Cable Material: PVC.
- Contact Type: Micro switch with 1 C/O contact.
- Contact Life: 10 million switches.
- Switch Angle: $\pm 45^\circ$
- Switching Speed: max. 60/min.
- Process Temperature: 0°C to 50°C
- Process Pressure: 1 Kg/cm²
- Liquid Density: above 0.8gm/cc.
- Housing material: non-toxic polypropylene.
- Protection : IP 68.



FEATURES:

- Low cost polypropylene level switch.
- Hermetically sealed/moulded.
- Microswitch operated.
- Adjustable switch differential.
- Low specific weight of the floating body.

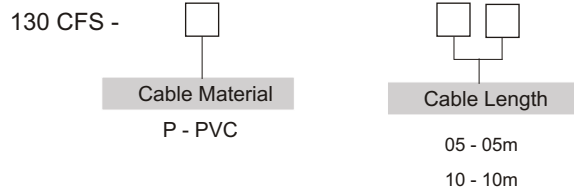
APPLICATION:

- Can be used from drinking water to sewage.
- Failsafe indication and pump control.

ACCESSORIES:

- Cast Aluminium Weatherproof and Flameproof Junction Box

ORDERING CODE:

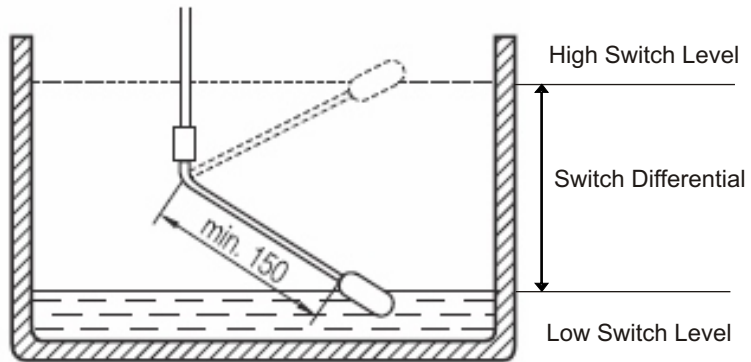
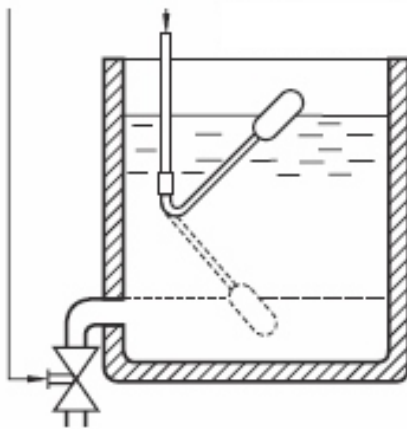


Example Of Model Code Selection: Model No- 130 CFS P 05

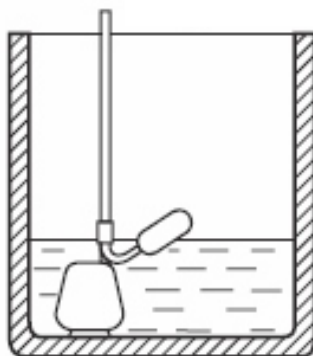
Cable Float Switch 130 CFS, Cable Length = 05mtr with PVC Cable and Counterweight.

APPLICATION DIAGRAM

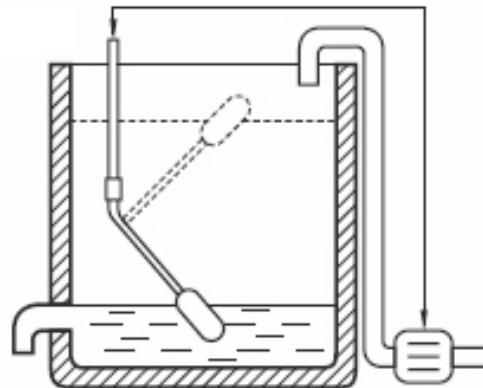
Emptying Control



Pump Protection



Filling Control



* Continuous developments may necessitate changes without notice.

LF-130 - 0806 R00 07/2007

SBEM Pvt. Ltd.

H.O. : 39, Electronic Co-Operative Estate, Pune - 411 009 (India)

Tel. : 91-20-24220505, 24223375 Fax : 91-20-24215670

Email : sbemsales@sbem.co.in, sbemsales@vsnl.com

Web : www.sbem-india.com

Works : Bibwewadi Industrial Estate, 691/A/2, Pune-Satara Road, Pune - 411 037 (India), Email : mfg@sbem.co.in

Office : Mumbai

Tel. : 91-22-27823601 / 03

Fax : 91-22-2782603

Email : sbemho@bom4.vsnl.net.in

mumbai@sbem.co.in

Chennai

91-44-24481235, 24486947

91-44-24486947

chennai@sbem.co.in

New Delhi

91-11-26560647, 26969679

91-11-26969679

newdelhi@sbem.co.in

Pune & Gujarat

91-20-24220505, 24223375

91-20-24215670

pune@sbem.co.in

gujarat@sbem.co.in

